



Touch PC by T2M2



A touch to co

T2M2 was founded in 1992. The company started out in the industry with the production and conceptual design of control units for a variety of industrial applications. High availability and reliability are essential to control machines and facilities. Our experience and expertise are excellent qualifications for our second business area:

building automation.

This is where high industrial standards and the demand for excellent design meet. The many facets of building automation require products to fulfill a variety of tasks and special applications: smart metering, or comfortable features for living environments with intelligent building automation. You will find a variety of TouchPCs for your applications. All products are designed and manufactured in Germany.

TouchPCs of expertise made in Germany.



comfort

Touch PCs

T2 Edition	4 + 5
T2 Edition 12"	6 + 7
T2 Edition 15"	8
T2 Edition 19"	9
T2 Edition 22"	10 + 11
T2 Gold Edition	12 + 13
T2 Gold Edition Desktop	14
T2 Gold Edition Surface-Mounted/Flush-Mounted	15
T2 Edition 7"	16 + 17
Overview (Products and Materials)	18 + 19

T2 Edition

Touch Display and Touch PC

The T2 Edition series offers a collection of silent touch panels. 12" to 22" flush-mounted displays allow easy integration in any environment.

Select from a collection of design fronts to blend the T2 Edition with any interior. Units are available with anodized aluminum fronts in black or silver, and a variety of high-gloss finishes in different colors. Glass and Corian fronts are optional.

High availability and good price-performance ratio make the T2 Edition your perfect choice. Read on and get an overview of the T2 Edition design models and variety!



Edition

Di 05.01.10

Menü

Rolladen
Firma



Rolladen
Wohnung



Wohnzimmer



Küche



Gast

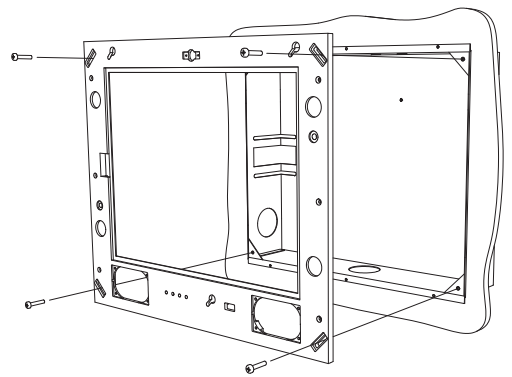
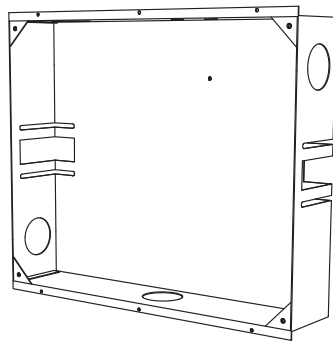
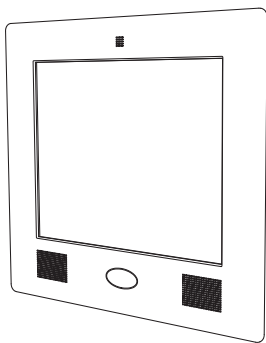


Schlafzimmer

Windfane



t2 Edition



h



t2 Edition 12"-Touch

- 12.1" TFT Display, 1024x786 (XGA)
- touch-display, analog resistive
- CPU: AMD LX800, or Intel ATOM N270 1.6 GHz
- Windows XP Prof., Embedded or Windows 7
- design fronts in different colors, high-gloss finishes or anodized aluminum
- flush-mounted housing (stainless steel)
- integrated power supply (110-240VAC)
- size: 357 x 293 x 94 mm (installation depth: 80 mm)
- EIB/KNX interface (optional)
- silent

12"



Design Sample



t2 Edition 15"-Touch

- 15" TFT Display, 1024x786 (XGA)
- touch-display, analog resistive
- CPU: VIA C7 1.5 GHz, or Intel ATOM Z530 1.6 GHz
- Windows XP Prof., Embedded or Windows 7
- design fronts in different colors, high-gloss finishes or anodized aluminum
- flush-mounted housing (stainless steel)
- integrated power supply (110-240VAC)
- optional stereo speaker system and microphone
- size: 420 x 362 x 92 mm (installation depth: 80 mm)
- EIB/KNX interface (optional)
- silent



Design Sample



t2 Edition 19"-Touch

- 19" TFT Display, 1280 x 1024 (SXGA)
- touch-display, analog resistive
- CPU: VIA C7 1.5 GHz, or Intel ATOM Z530 1.6 GHz
- Windows XP Prof., Embedded or Windows 7
- design fronts in different colors, high-gloss finishes or anodized aluminum
- flush-mounted housing (stainless steel)
- integrated power supply (110-240VAC)
- optional stereo speaker system and microphone
- size: 490 x 435 x 94 mm (installation depth: 80 mm)
- EIB/KNX interface (optional)
- silent



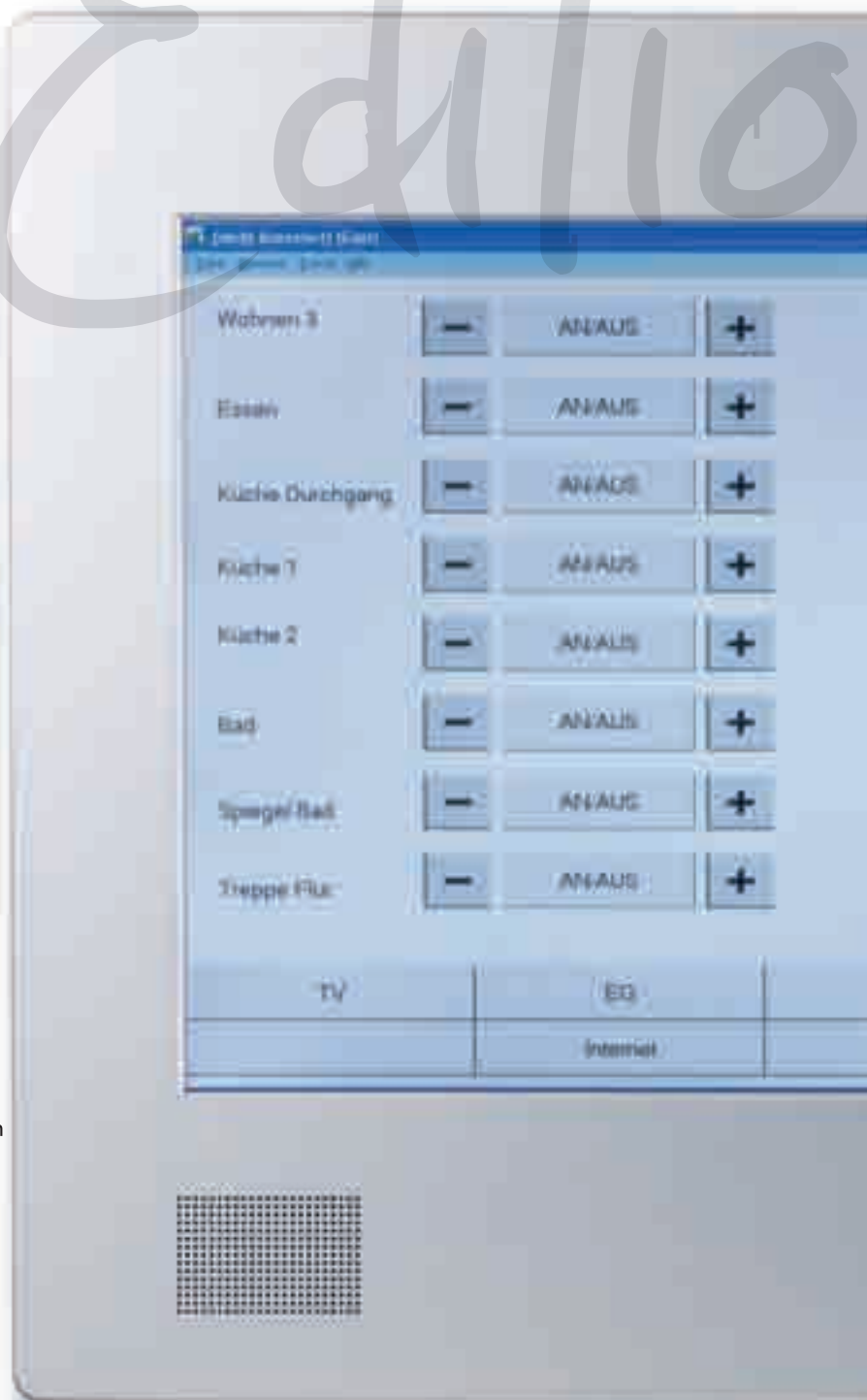
Design Sample

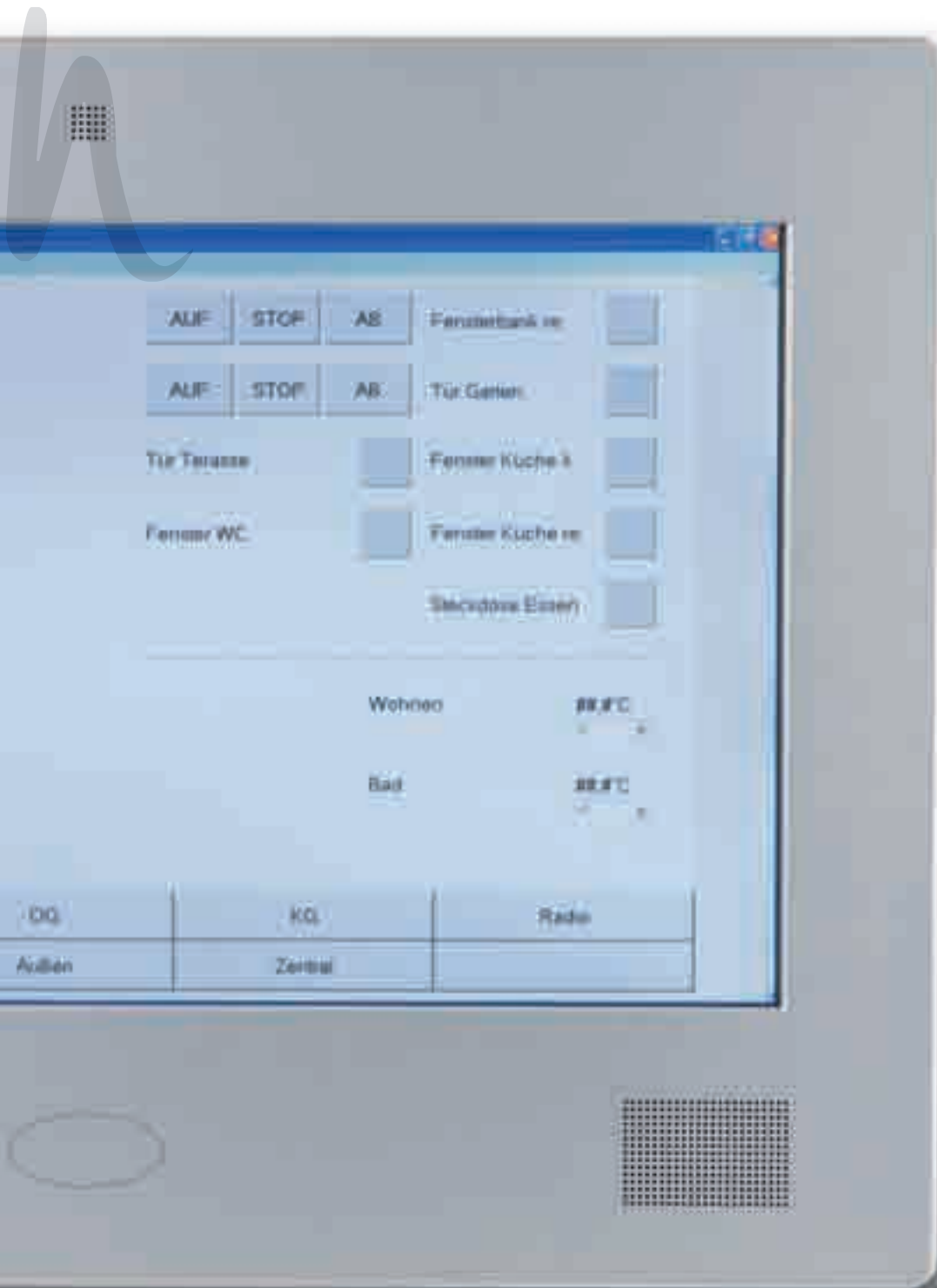
t2

Edition

t2 Edition 22"-Panel

- 21.6" TFT Display, 1920 x 1080 (FullHD)
- touch-display, analog resistive
- CPU: Intel ATOM Z530 1.6 GHz, or Intel ATOM N270 1.6 GHz
- CPU: AMD LX800, or Intel ATOM N270 1.6 GHz
- Windows XP Prof., Embedded or Windows 7
- design fronts in different colors, high-gloss finishes or anodized aluminum
- flush-mounted housing (stainless steel)
- integrated power supply (110-240VAC)
- size: 585 x 430 x 92 mm (installation depth: 80 mm)
- EIB/KNX interface (optional)
- silent





Design Sample

T2

Go

T2 Gold Edition

Touch PC

The T2 Gold Edition is characterized by its slim profile. Innovative installation of the units allows for an extremely slim 20 mm frame, and its sleek silhouette convinces as flush-mounted, surface-mounted, or desktop versions alike.

The T2 Gold Edition features a 10" backlit (LED) display and guarantees low energy consumption, and longevity, as does the ultra-low-wattage CPU. This series is continually optimized for high energy-saving potential.

Select a design front for your T2 Gold Edition from our collection.

Read on and learn more about our Gold Edition!

Old Edition



Gold Edition



T2 Gold Edition 10 Desktop

- 10.4" TFT Display, 1024 x 768 (XGA)
- Contrast Ratio: 2000:1
- Brightness: 500cd/m2
- Viewing Angle: 176° circumferential
- touch-display, analog resistive
- CPU: Intel ATOM Z530 1.6 GHz
- Windows XP Prof., Embedded or Windows 7
- design case (closed) in different colors, high-gloss finishes or anodized aluminum
- flush-mounted housing (stainless steel)
- power supply (110-240VAC)
- LAN, USB (external)
- silent

tion

T2 Gold Edition10 Surface-Mounted

- 10.4" TFT Display, 1024 x 768 (XGA)
- Contrast Ratio: 2000:1
- Brightness: 500cd/m2
- Viewing Angle: 176° circumferential
- touch-display, analog resistive
- CPU: Intel ATOM Z530 1.6 GHz
- Windows XP Prof., Embedded or Windows 7
- surface-mounted design case (closed) in different colors, high-gloss finishes or anodized aluminum
- integrated power supply (110-240VAC)
- LAN, USB (external)
- Size: 260 x 310 x 72 mm
- silent



T2 Gold Edition10 Flush-Mounted

- 10.4" TFT Display, 1024 x 768 (XGA)
- Contrast Ratio: 2000:1
- Brightness: 500cd/m2
- Viewing Angle: 176° circumferential
- touch-display, analog resistive
- CPU: Intel ATOM Z530 1.6 GHz
- Windows XP Prof., Embedded or Windows 7
- design front in different colors, high-gloss finishes or anodized aluminum
- flush-mounted housing (stainless steel)
- power supply 24VDC or 110-240VAC
- LAN, USB (external)
- Size: 260 x 218 x 79 mm (Installation Depth: 65 mm)
- silent

TZ



TZ Edition 7"

Touch-Terminal CE



Scale 1:1

T2 Edition 7

- 7" TFT Display, 800 x 480
- touch-display, analog resistive
- CPU: Samsung 400 MHz ARM
- Windows CE 5.0/6.0
- Ajax browser
- design inlay in different colors, high-gloss finishes or anodized aluminum
- integrated power supply (110-230VAC)
- Size: 220 x 160 x 72 mm (Installation Depth: 60 mm)
- compatible with MT701 flush-mounted case
- silent



Design Sample

t2 Edition 12"



Design Sample

t2 Edition 15"



Design Sample

t2 Edition 19"



Design Sample

t2 Edition 22"



Design Sample

t2 Gold Edition

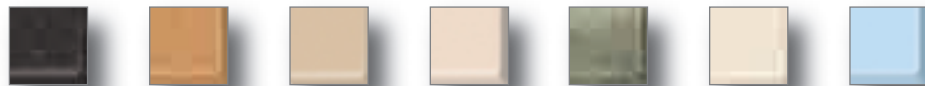


t2 Edition 7"



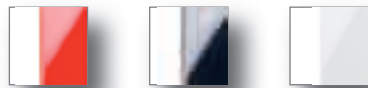
Material/Color Samples

Corian



Color Sample

High-gloss Finish



Color Sample

Glass



Color Sample

Anodized Aluminum



Color Sample



Touch PC by T2M2

Recommended by:

T2M2 GmbH
Gesellschaft für Automation und Engineering mbH
Grünbergerstr. 140 / Geb. 606
35394 Gießen

Phone: +49 641 96221-0
Fax: +49 641 96221-18
E-Mail: info@t2m2.de
www.t2m2.de

